

Click [HERE](#) to return to the Table of Contents

S A A M I

SPORTING ARMS AND AMMUNITION MANUFACTURERS' INSTITUTE, INC.

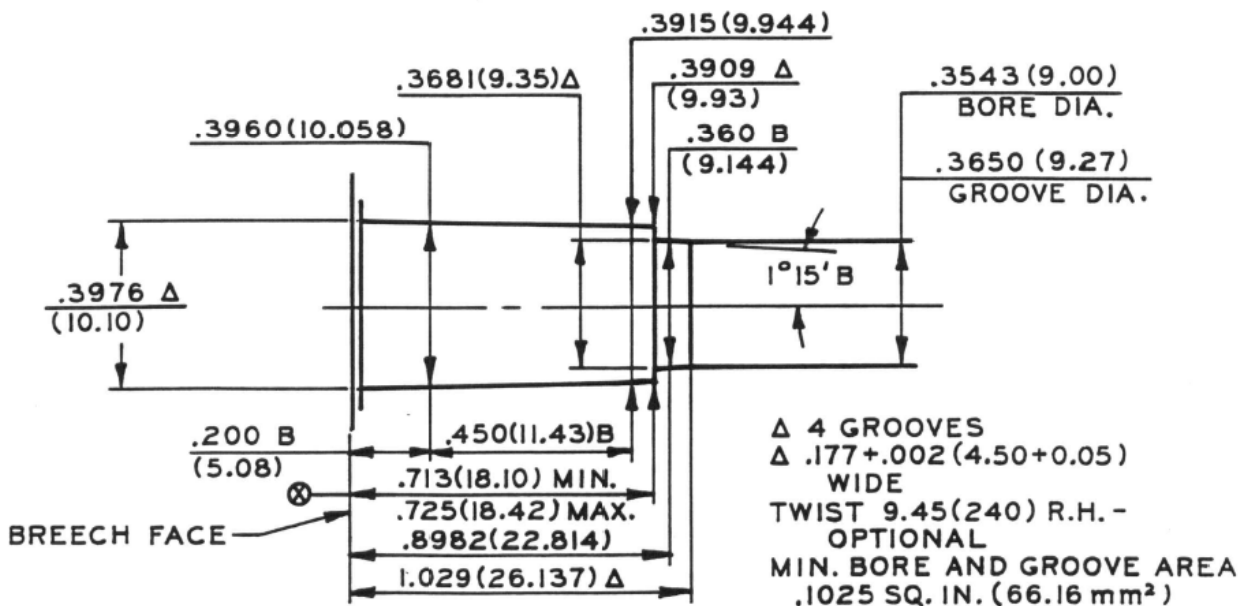
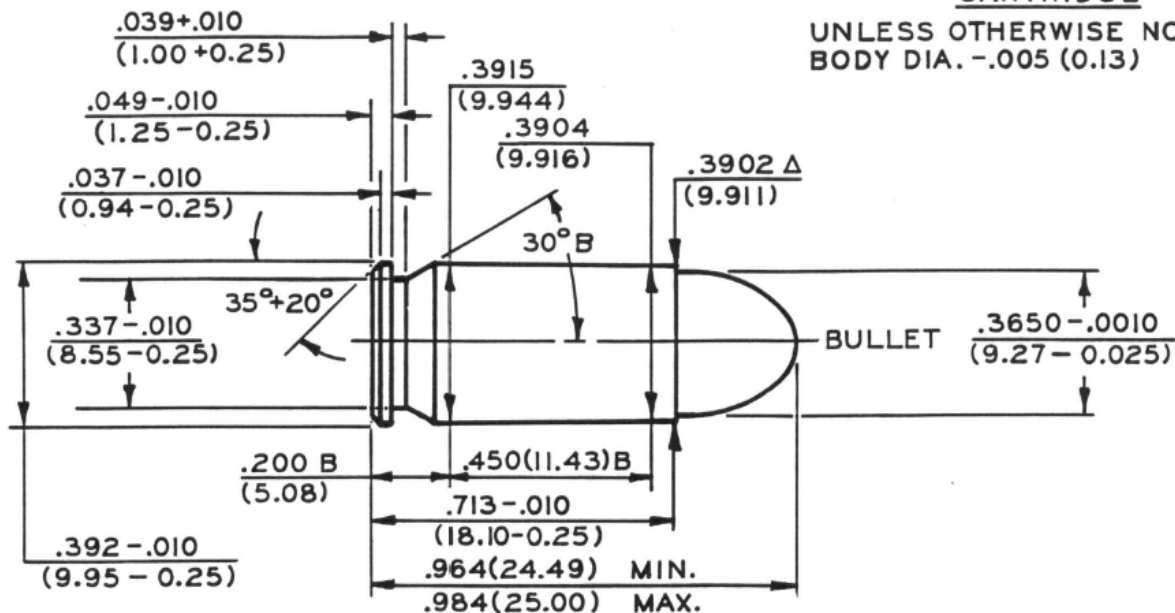
Since 1926

MAXIMUM CARTRIDGE / MINIMUM CHAMBER

9 X 18 MAKAROV

CARTRIDGE

UNLESS OTHERWISE NOTED
BODY DIA. $-.005$ (0.13)



NOTE

B=BASIC

Δ=REFERENCE DIMENSION

⊗=HEADSPACE DIMENSION

XX.XX)=MILLIMETERS

* DIMENSIONS ARE TO INTERSECTION OF LINES

ALL CALCULATIONS APPLY AT MAXIMUM MATERIAL CONDITION (MMC)

CHAMBER

UNLESS OTHERWISE NOTED

ALL DIA. $+.004$ (0.10)

LENGTH TOL. $+.012$ (0.30)